

REFERENCES

NUUK - Greenland National Gallery



PROJECT

Greenland National Gallery

CLIENT

Nunatta Eqqumiitsulianik
Saqqummersitsivia

COLLABORATORS

TNT Nuuk
Arkitekti Inge Bisgaard
Rambøll UK
Rambøll Nuuk

SIZE

3,000m²

LOCATION

Nuuk, Greenland

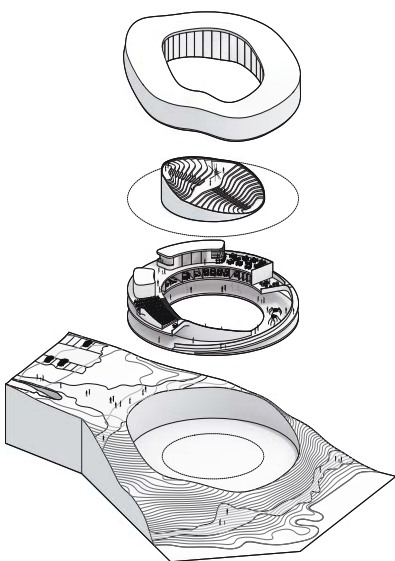


How do you perpetuate and honour a nation's dream and fight for independence?

Greenland National Gallery for Art will play a significant role for the citizens of Greenland and the inhabitants of Nuuk as a cultural, social, political, urban and architectural focal point.

Greenland National Gallery for Art will combine the art history of Greenland and contemporary art in one dynamic institution that communicates the continuous project of documenting and developing the Greenlandic national identity through art and culture. With its urban location and direct connection to landscape and nature there will be a rich opportunity to incorporate the Greenlandic nature as well as the surrounding urbanity. The gallery will be one common exhibition space that can be divided into many smaller galleries and accommodate changing exhibitions, but will clearly and unambiguously collect all Greenlandic and circumpolare artistic expression under one roof.

The National Gallery will be a symbolic tool in the continuous contribution for political independency. Since the introduction of the home rule and latest autonomy the Greenlanders and Greenlandic artists have been occupied with the question about Greenlandic identity and independency. The building will with its simplistic coarseness and harmony with the landscape become a symbol of the current independent Greenlandic artistic and architectural expression.





REFERENCES

NUUK - Greenland National Gallery



PROJECT

Greenland National Gallery

CLIENT

NUNATTA EQQUMIITSULIANIK
SAQQUMMERSITSIVIA

COLLABORATORS

TNT Nuuk
Arkitekti Inge Bisgaard
Rambøll UK
Rambøll Nuuk

BUDGET

Unknown

SIZE

3,000m²

LOCATION

Nuuk, Greenland



How do you perpetuate and honour a nation's dream and fight for independence?

Greenland National Gallery for Art will play a significant role for the citizens of Greenland and the inhabitants of Nuuk as a cultural, social, political, urban and architectural focal point.

Greenland National Gallery for Art will combine the art history of Greenland and contemporary art in one dynamic institution that communicates the continuous project of documenting and developing the Greenlandic national identity through art and culture. With its urban location and direct connection to landscape and nature there will be a rich opportunity to incorporate the Greenlandic nature as well as the surrounding urbanity. The gallery will be one common exhibition space that can be divided into many smaller galleries and accommodate changing exhibitions, but will clearly and unambiguously collect all Greenlandic and circumpolar artistic expression under one roof. The National Gallery will be a symbolic tool in the continuous contribution for political independency. Since the introduction of the home rule and latest autonomy the Greenlanders and Greenlandic artists have been occupied with the question about Greenlandic identity and independency. The building will with its simplistic coarseness and harmony with the landscape become a symbol of the current independent Greenlandic artistic and architectural expression.